



SERVICE BULLETIN #126

Date: 7-25-90

Subject:

This service bulletin is issued to address service difficulties experienced with 2-Point AFT cable systems. All current 2-Point AFT systems utilize cable attachment to the suspension fitting as shown in Diagram 1. The difficulty with the fitting is that the cables may twist around the shackle and "pop" the cable thimble out of the cable loop, exposing the cable to the sharp edges of the shackle. This condition is addressed in Service Bulletin #124 and in part in #125.

Applicability:

This service bulletin applies to all Aerostar hot air balloons which are equipped with AFT 2-Point suspension cables.

Corrective Action/Procedure:

This operation must be performed by a repair station, and must be performed on or before the next annual/100 hour inspection. The suspension block and shackle assemblies as shown in Diagram 1 must be replaced with assemblies as shown in Diagram 2 (a), (b), or (c), for 16 gore, 20 gore, or 24 gore balloons respectively.

Inspect the thimble at the lower end of each cable-pair. If the thimble is bent, falling out or mutilated, the cable-pair must be replaced.

Each cable-pair assembly must be removed from its shackle and installed on the single shackle (in the order as shown on the respective diagram 2 (a), (b), or (c).) For locations of cable pair designators, (A-1, A-2, B-2, etc.) for respective cable sets, refer to Aerostar Instructions For Continued Airworthiness, Appendix J., Revision G. The grade-8 bolt is then installed through the shackle and suspension fitting as shown in the diagram, then torqued to 45-50 in-lbs. with alignment of the shackle with the suspension fitting as shown in diagram 3.

All replaced components, including the suspension fitting, shackles, bolts, and cables must be returned to Aerostar to the attention of "Customer Service" along with the enclosed Owner Corrective Action card. A log-book entry must be made showing compliance with this service bulletin.

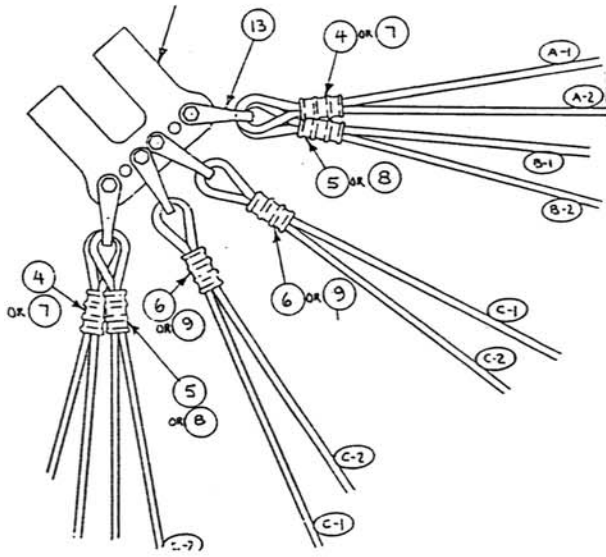


Diagram One

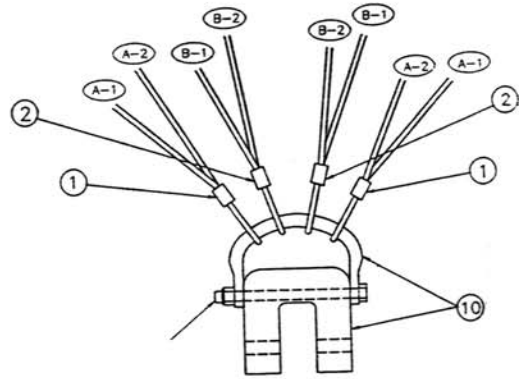


Diagram Two (a), 16 gore

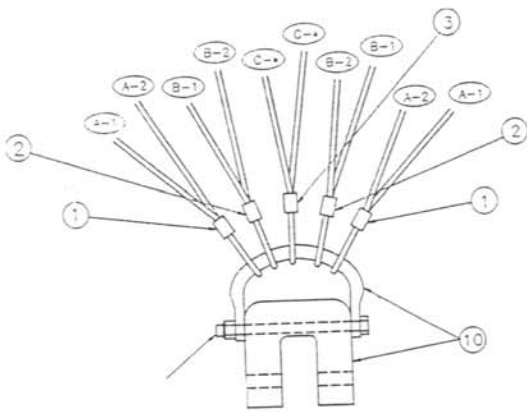


Diagram Two (b), 20 gore

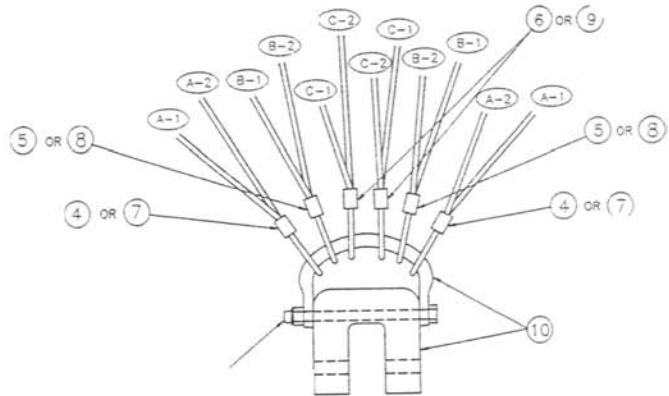
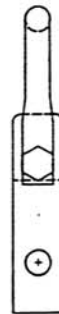
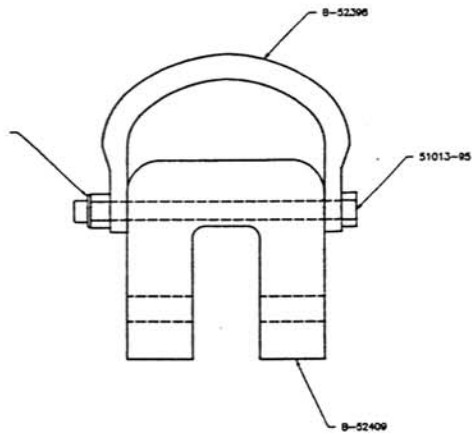


Diagram Two (c), 24 gore
B-52416



NOTE: 1. TORQUE NUT P/N 51013-12 TO 50 IN LBS. AFTER CABLES ARE INSTALLED.