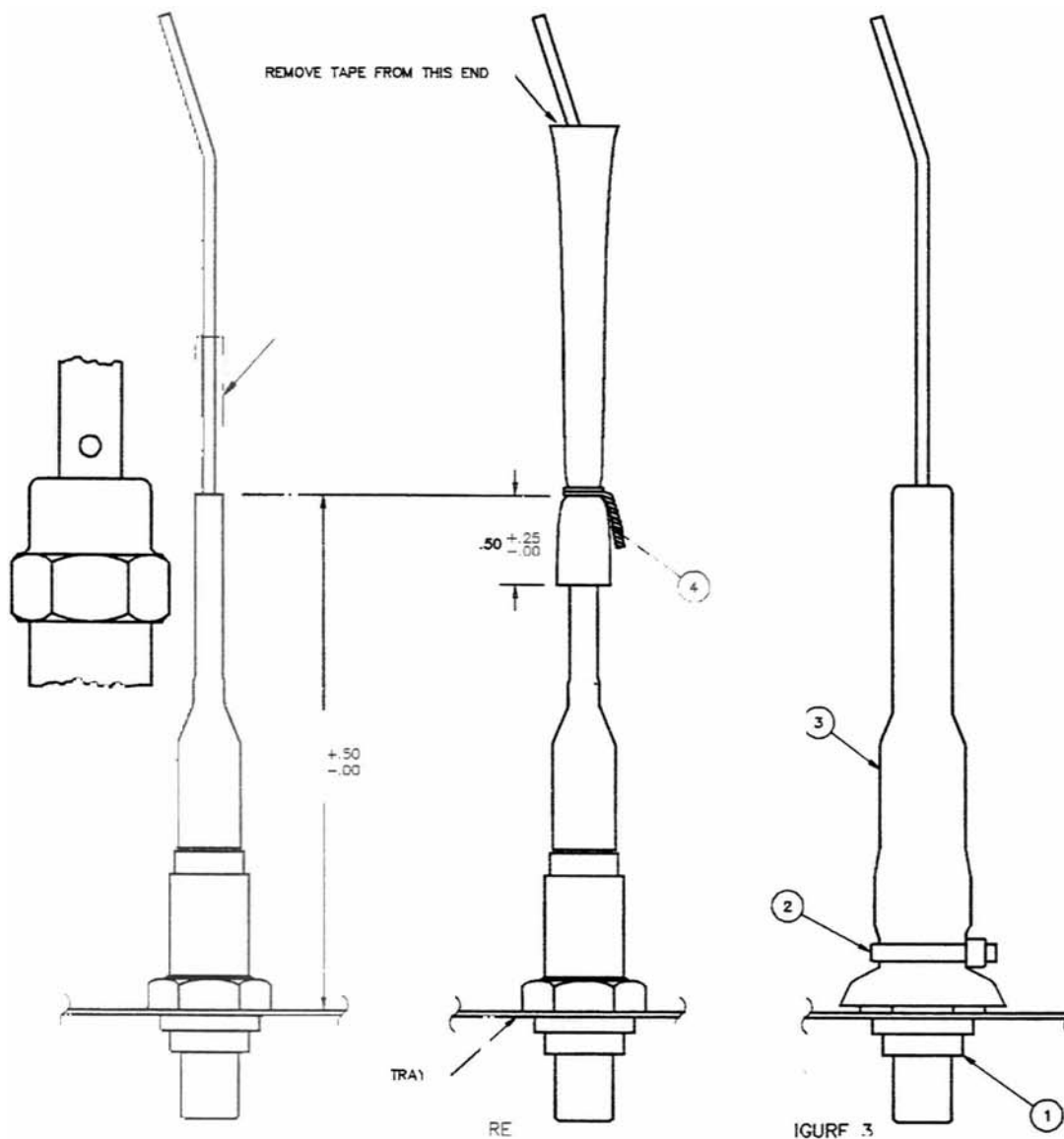


AEROSTAR SERVICE LETTER 105

7/12/93

- Subject:** *Piezo Ignitor modification*
- Applicability:** *Aerostar Zone Five/Dual Burner part number 52350
Aerostar Aurora/Single Burner part number 51370*
- Problem:** *It has come to our attention that the heat shrink used in manufacture of the piezo ignitor will melt and ignite when the burner has gotten extremely hot this results in destruction of the piezo ignitor and other possible damage to the burner.*
- Discussion:** *The solution to this problem is simply the installation of a fiberglass sleeve over the heat shrink. This modification is recognized as preventive maintenance and may be completed by the owner/operator of the aircraft.*
- Procedure:**
- 1. Trim the excess heat shrink at a length of 4" as shown in figure 1.*
 - 2. Remove the tape from one end of the fiberglass sleeve (Item 3).*
 - 3. Slide the sleeve over ignitor, tape end down. Wrap wire twice around the sleeve and twist the ends. Cut the tail off 1/4" to 1/2" long. Bend tail down as shown in Figure 2.*
 - 4. Slide sleeve down, rolling it over itself.*
 - 5. Make a loop with plastic wire tie (Item 2), slide over ignitor and tighten at base as shown in Figure 3.*
 - 6. Test ignitor for proper spark. The electrode should be positioned so spark jumps to the edge of the nearest top corner hole. If the spark jumps to the regulator body, bend electrode away in that area.*





AR	S.S. SAFETY WIRE .032"	51001-22	4
5.25±.25	FIBERGLASS SLEEVE 5/8"	51027-16	3
1	WIRE TIE	51051-04	2
1	PIEZO-ELECTRIC IGNITOR ASSY	51868	1
QTY.	DESCRIPTION	PART NO.	ITEM NO.

TRIM EXCESS HEAT SHRINK AT LENGTH SHOWN IN FIGURE 1.

REMOVE TAPE FROM ONE END OF FIBERGLASS SLEEVE (ITEM 3).

SLIDE SLEEVE OVER IGNITOR, TAPE END DOWN. WRAP WIRE TWICE AROUND SLEEVE AND TWIST ENDS CUT TAIL OFF 1/4" TO 1/2" LONG. BEND TAIL DOWN AS SHOWN IN FIGURE 2.

SLIDE SLEEVE DOWN; ROLLING IT OVER ITSELF.

MAKE A LOOP WITH PLASTIC WIRE TIE (ITEM 2), SLIDE OVER IGNITOR AND TIGHTEN AT BASE AS SHOWN IN FIGURE 3.

TEST IGNITOR FOR PROPER SPARK. THE ELECTRODE SHOULD BE POSITIONED SO SPARK JUMPS TO THE EDGE OF THE NEAREST TOP CORNER HOLE. IF THE SPARK JUMPS TO THE REFULATOR BODY. BEND ELECTRODE AWAY IN THAT AREA