

AEROSTAR INTERNATIONAL, INC.
SERVICE LETTER 107

NOVEMBER 7, 1994

SUBJECT: CLASSIC X (RB8) BASKET, FLOOR PLATE

APPLICABILITY: Basket Serial Numbers RB8-101 through RB8-113

PROBLEM: There have been reports of some damage to the plywood floor beneath the vertical tube or post at the intersection of the divider panels (two places, either side of the pilot compartment).

DISCUSSION: Upon further evaluation, it was found that the tensioning of the divider panels at the time of manufacture was creating a good deal of compression at this post. This results in a prestressing of the plywood floor panel.

During landing impact, the combination of this concentrated stress, shock loading, and a fairly small bearing area under the post itself, could result in localized damage to the plywood. An increase in the bearing surface area was the simplest cure. An aluminum plate was produced to insert between the post base and the floor. New bolts and locknuts are also provided as the existing ones may not be reusable.

PARTS REQUIRED

<u>QUANTITY</u>	<u>PART NUMBER</u>	<u>DESCRIPTION</u>
2	53019	3" Aluminum Washer
2	51019-38	5/16" Carriage Bolt
2	51015-37	5/6" Locknut

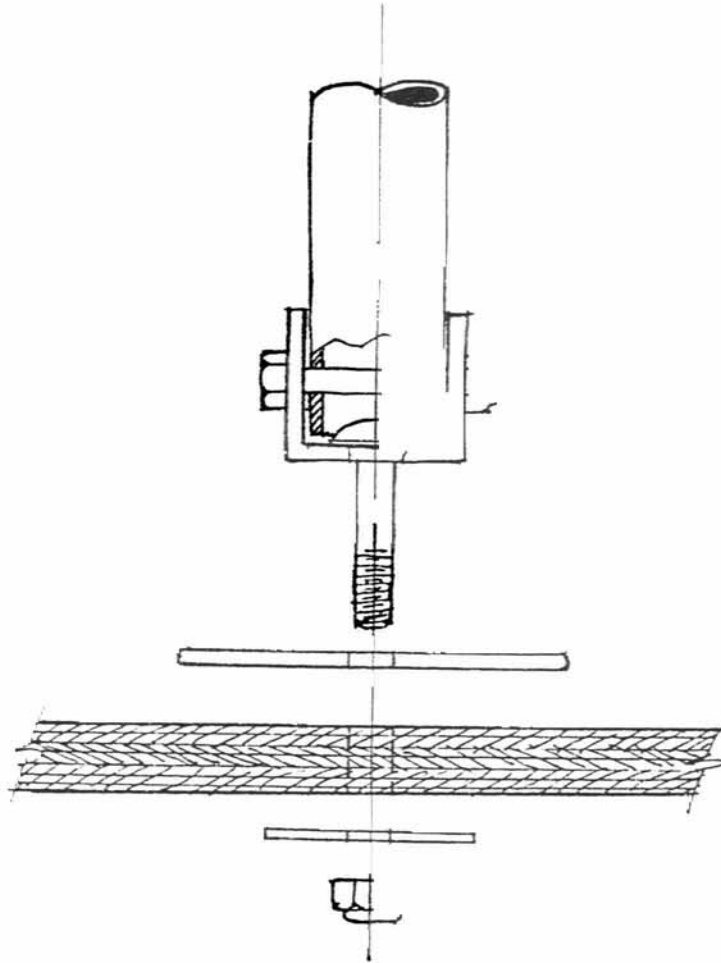
PROCEDURE: Remove the AN3 bolt and locknut holding the tube to the U-bracket at the floor (save bolt and nut for re-use). Slide tube to side of bracket (away from pilot compartment). Install aluminum bearing plate (washer) between U-bracket and plywood floor. Install new carriage bolt and locknut, re-use existing fender washer. Do not tighten fully until tube is reinstalled.

Reposition tube in U-bracket and tighten AN3 bolt and locknut. Note that it may be necessary to apply considerable leverage to reposition the tube due to the tension in the adjacent dividers. Tighten 5/16" nut on underside of basket. Then cut off excess bolt threads and grind smooth.

Page Two
Service Letter 107
November 7, 1994

Repeat the procedure at the other post location.

Illustration One



An appropriate logbook entry shall be made following completion of the work by authorized personnel at an approved facility.

If you have any questions contact:

Dee Rose
Customer Service Manager
AEROSTAR INTERNATIONAL, INC.
P.O. BOX 5057
SIOUX FALLS, SOUTH DAKOTA 57117
PHONE: 605-331-3500
FAX: 605-331-2547