

**AEROSTAR INTERNATIONAL, INC.  
SERVICE LETTER 108**

NOVEMBER 8, 1994

**SUBJECT:** DEFLATION PANEL FIT IN AERO 65(S52A) ENVELOPE, DRAWING NUMBER 52052-09

**APPLICABILITY:** All S52A envelopes serial numbers S52A-3001 through S52A-3017 with Parachute or SpringTop deflation panels.

**PROBLEM:** There have been several situations where the deflation panel in a model S52A envelope has not been sealing properly.

**DISCUSSION:** Upon further evaluation, it was determined that the overstraps had shrunk or the length was incorrect. In addition, it was found that the internal lines also needed to be changed.

**PROCEDURE:** The overstrap should be increased to 98" inches per Detail ZA (Figure 1) attached. This should be done per Appendix D, page D-1 of the Aerostar Instructions for Continued Airworthiness. The splice should be completed near the apex ring on the envelope.

The Parachute top lines should be changed per Detail KE (Figure 2) attached. The centering lines will need to be shortened to 99"  $\pm 1/2$ ". The confluence lines will need to be lengthened to 171"  $\pm 2$ ". It will be necessary to order new confluence lines from the factory. If the customer wishes to change the envelope from a straight pull parachute top to a pulley parachute top, this would be done at their own expense.

The SpringTop paravent lines should measure 99"  $\pm 1$ " per Detail VL (Figure 3).

An appropriate logbook entry shall be made following completion of the work by authorized personnel at an approved facility.

If you have any questions contact:

Dee M. Rose  
Customer Service Manager  
AEROSTAR INTERNATIONAL, INC.  
P.O. BOX 5057  
SIOUX FALLS, SOUTH DAKOTA 57117  
PHONE: 605-331-3500  
FAX: 605-331-2547

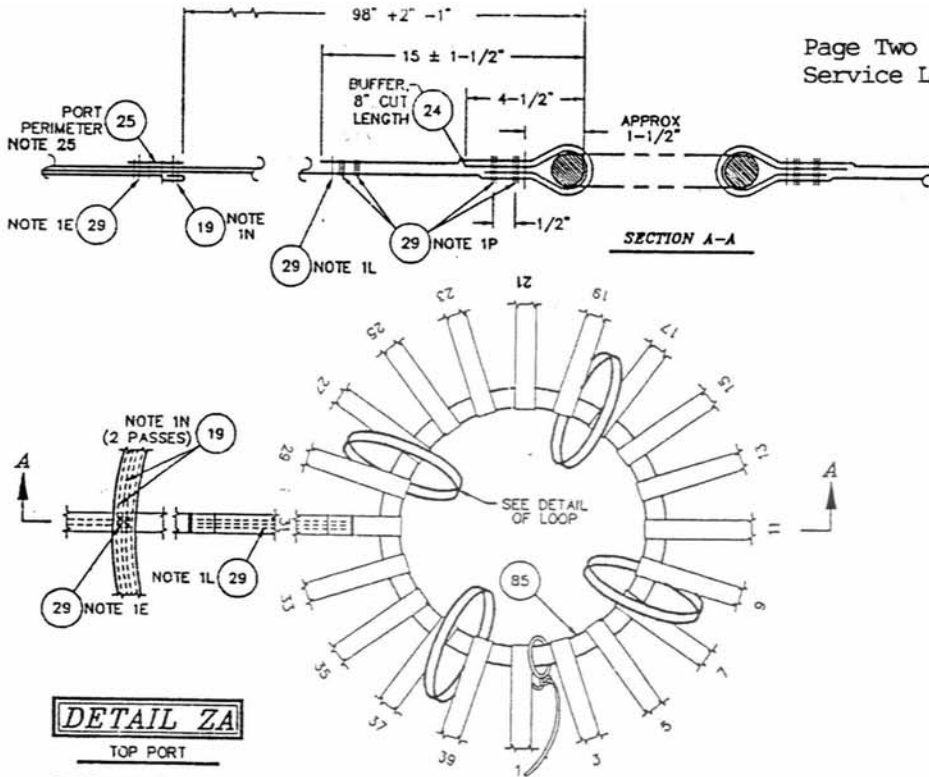


FIGURE 1

DEFLATION LINES \ BRIDLE LINES  
PARACHUTE ONLY

NOTE: BOWLINE PLUS SAFETY KNOT AT ALL LOCATIONS.

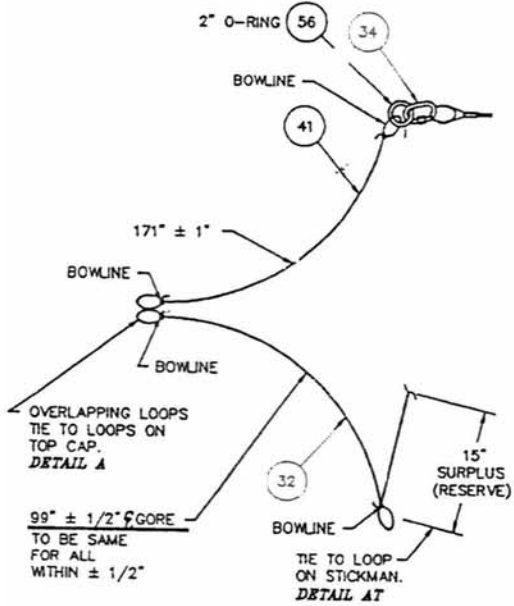
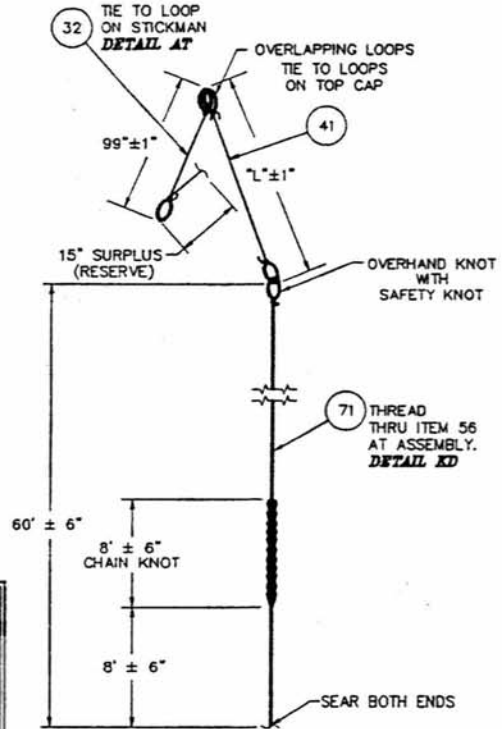


FIGURE 2



VENT LINE DIM.	
SEAM	ℓ" (FT.-IN.)
2	9'-8"
4	9'-7"
6	10'-0"
8	11'-5"
10	12'-8"
12	14'-5"

FIGURE 3

NOTE: BOWLINE PLUS SAFETY KNOT AT ALL LOCATIONS.