

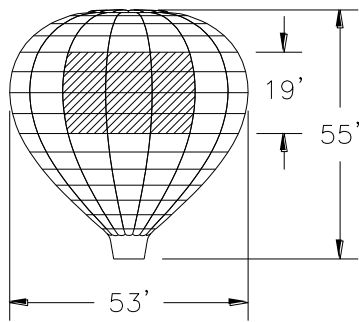


COMPONENT WEIGHT & SPECIFICATIONS

February 1, 2012

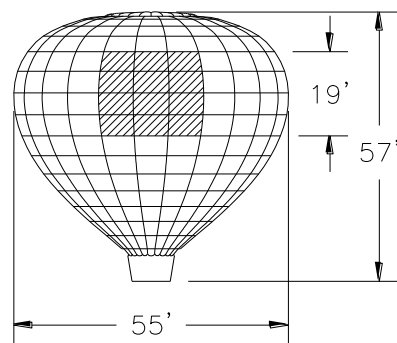
ENVELOPE SPECIFICATIONS

Normal Banner Placement
(31.5' x 19')
Approximate gore width
at equator is 10.5'



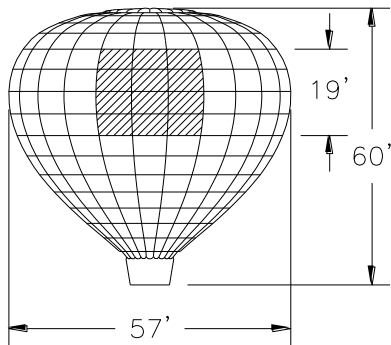
Horizon 69

Normal Banner Placement
(21' x 19')
Approximate gore width
at equator is 7'



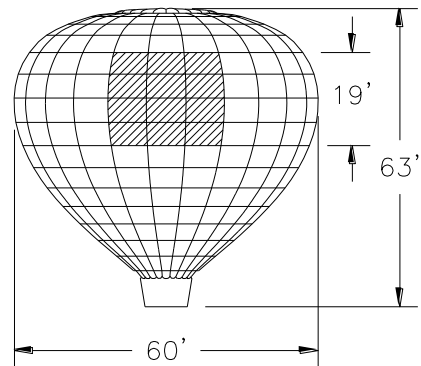
Horizon 77

Normal Banner Placement
(22.5' x 19')
Approximate gore width
at equator is 7.5'



Horizon 90

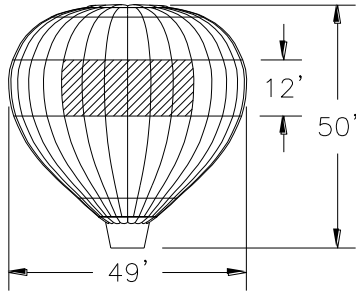
Normal Banner Placement
(24' x 19')
Approximate gore width
at equator is 8'



Horizon 105

Normal Banner Placement
(28.5' x 12')

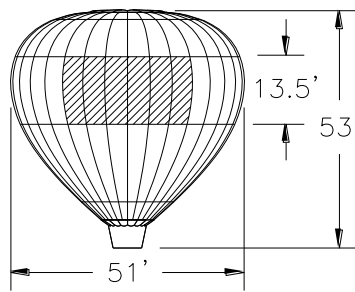
Approximate gore width
at equator is 9.5'



Aurora 54K

Normal Banner Placement
(30' x 13.5')

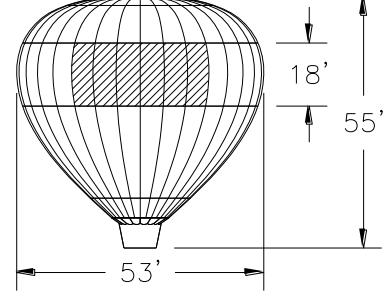
Approximate gore width
at equator is 10'



Aurora 62K

Normal Banner Placement
(31.5' x 18')

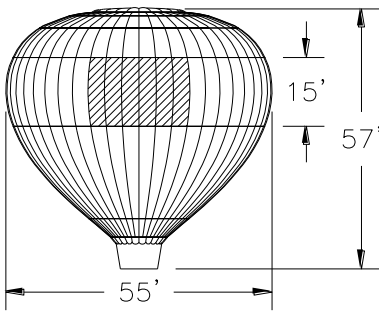
Approximate gore width
at equator is 10.5'



Aurora 69K

Normal Banner Placement
(21' x 15')

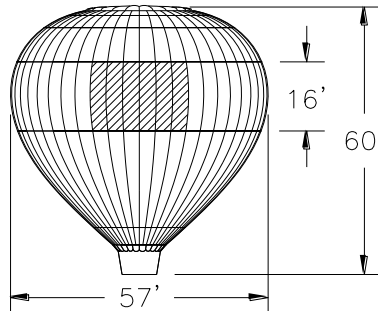
Approximate gore width
at equator is 7'



Aero 77

Normal Banner Placement
(22.5' x 16')

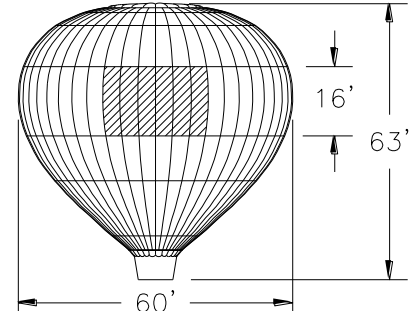
Approximate gore width
at equator is 7.5'



Aero 90

Normal Banner Placement
(24' x 16')

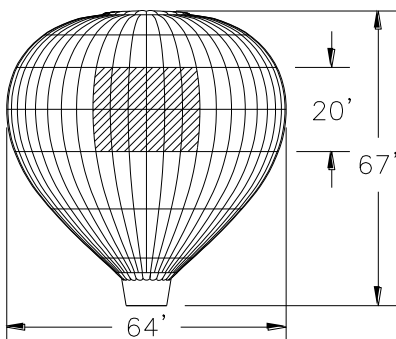
Approximate gore width
at equator is 8'



Aero 105

Normal Banner Placement
(25.5' x 20')

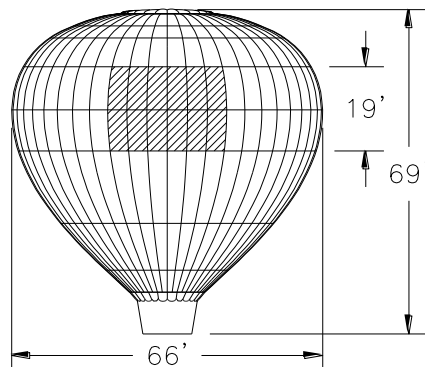
Approximate gore width
at equator is 8.5'



Aero 126

Normal Banner Placement
(25.5' x 19')

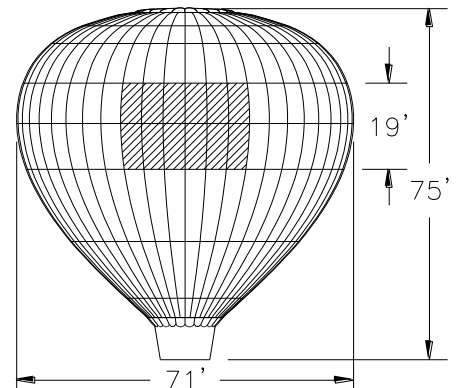
Approximate gore width
at equator is 8.5'



Aero 141

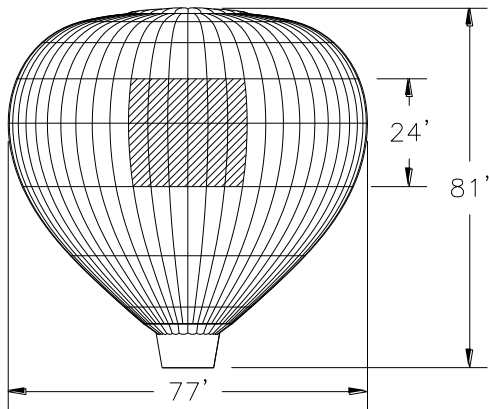
Normal Banner Placement
(30' x 19')

Approximate gore width
at equator is 10'



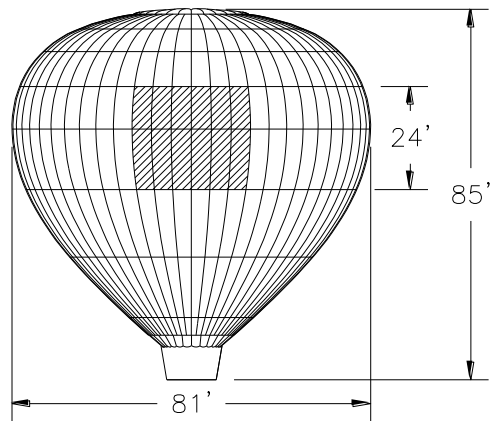
Aero 175

Normal Banner Placement
(27' x 24')
Approximate gore width
at equator is 9'



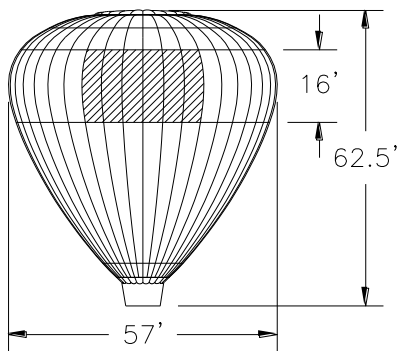
Aero 211

Normal Banner Placement
(27' x 24')
Approximate gore width
at equator is 9'



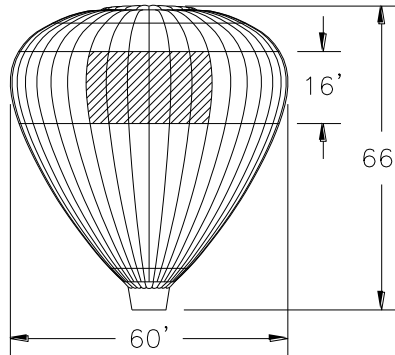
Aero 245

Normal Banner Placement
(27' x 16')
Approximate gore width
at equator is 4.5'



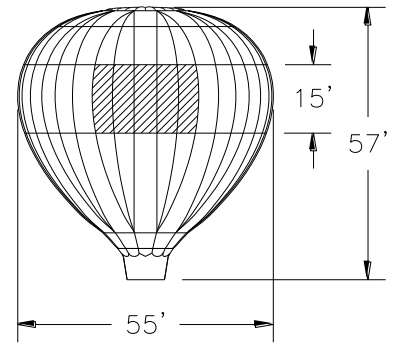
Aero 90S

Normal Banner Placement
(30' x 16')
Approximate gore width
at equator is 5'



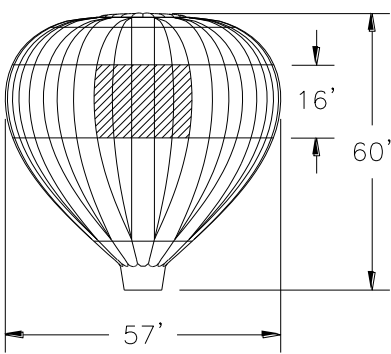
Aero 105S

Normal Banner Placement
1 straight & 2 curved gores
(25' x 15')
Opt.; 1 curved & 2 straight
(20' x 15')



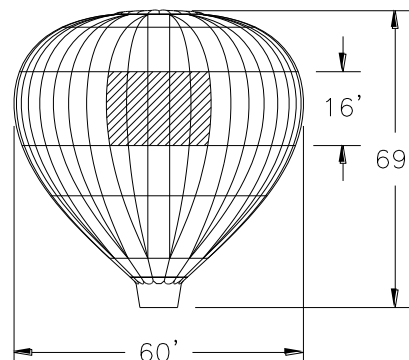
Rally 77

Normal Banner Placement
1 straight & 2 curved gores
(22' x 16')
Opt.; 1 curved & 2 straight
(18' x 16')



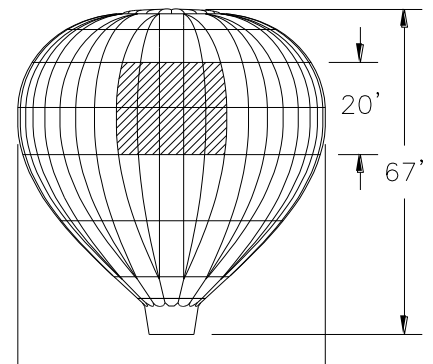
Rally 90

Normal Banner Placement
1 straight & 2 curved gores
(24' x 16')
Opt.; 1 curved & 2 straight
(19' x 16')

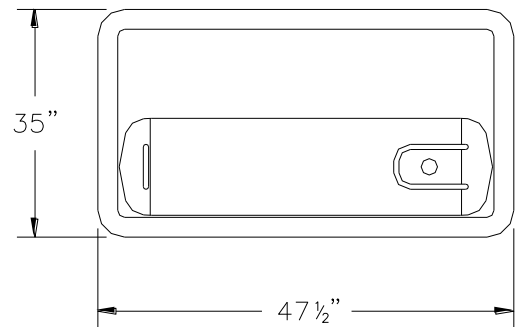
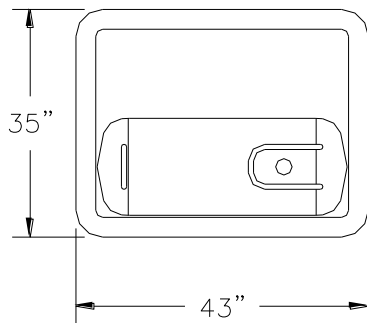
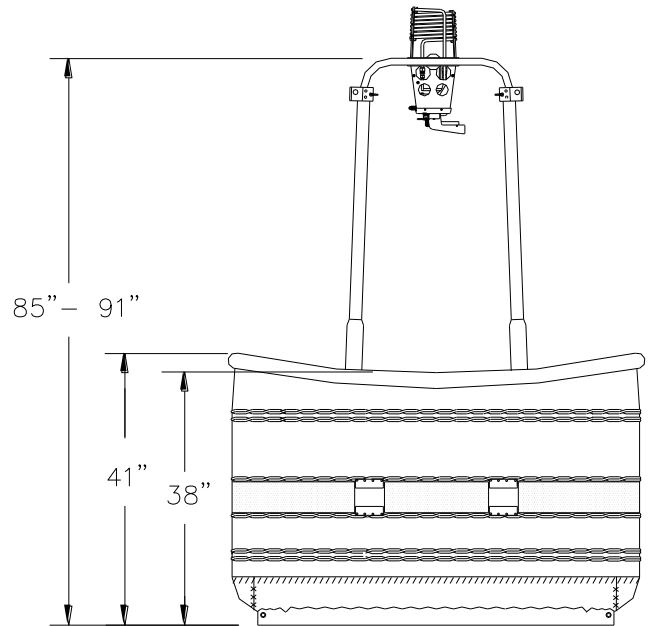
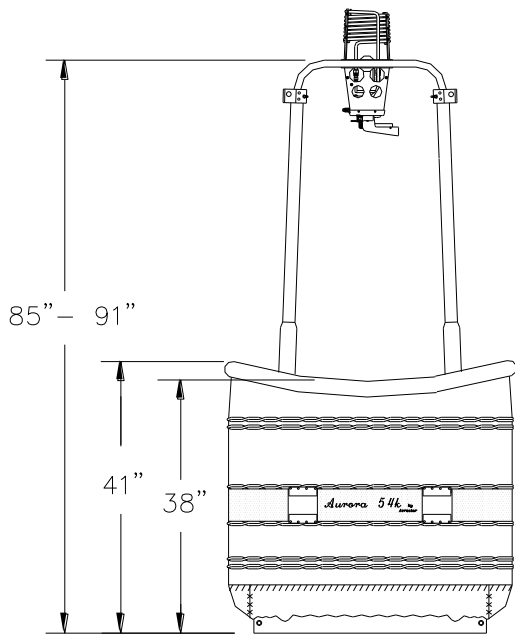


Rally 105

Normal Banner Placement
1 straight & 2 curved gores
(25' x 20')
Opt.; 1 curved & 2 straight
(20' x 20')



Rally 126



Aurora (ELS)

Basket empty weight – 165 lbs.
 (add for stainless steel)
 Standard Tank 1 – 20 gallon

Certified Envelopes:

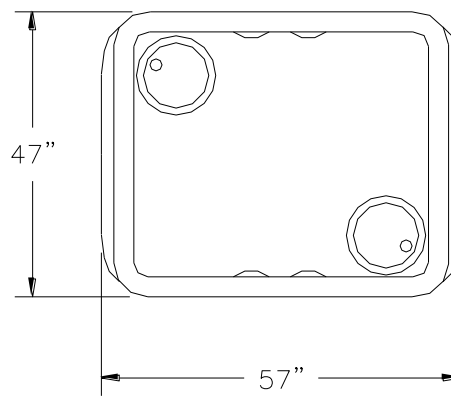
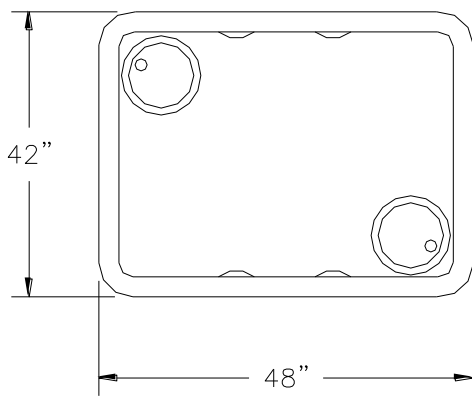
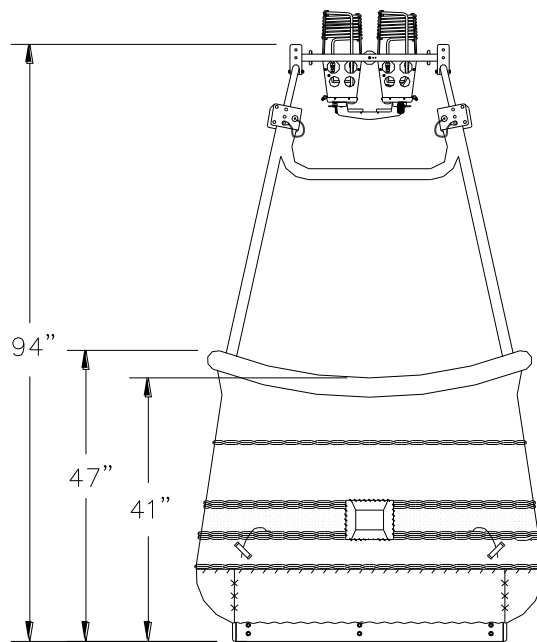
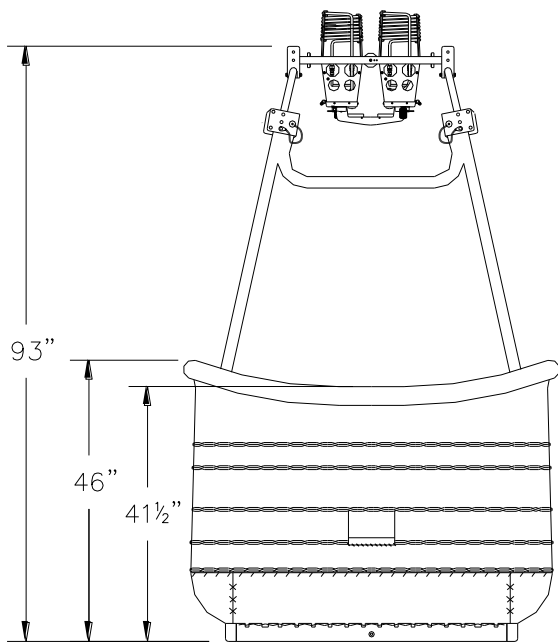
Aurora 54K, 62K & 69K
 Rally 77 & 90
 Aero 77, 90 & 90S
 Horizon 69, 77 & 90

Aurora Stretch (ELSS)

Basket empty weight – 169 lbs.
 (add for stainless steel)
 Standard Tank 1 – 25 gallon

Certified Envelopes:

Aurora 54K, 62K & 69K
 Rally 77 & 90
 Aero 77, 90 & 90S
 Horizon 69, 77 & 90



Classic II (RWSW)

Basket empty weight – 270 lbs.
Standard Tanks; 2 – 15 gallon

Certified Envelopes:

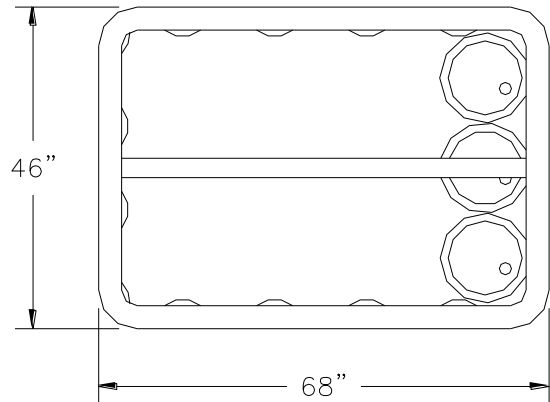
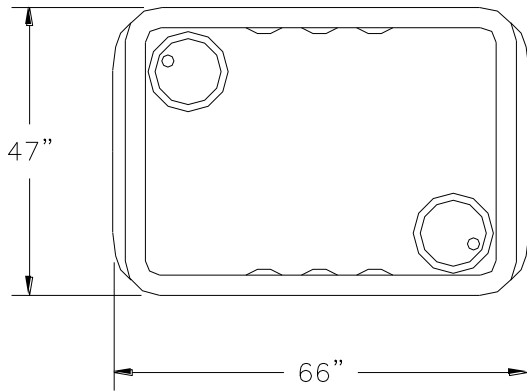
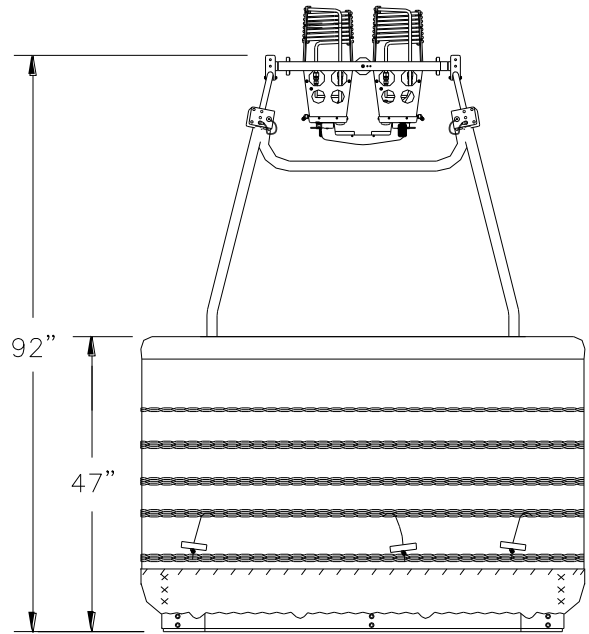
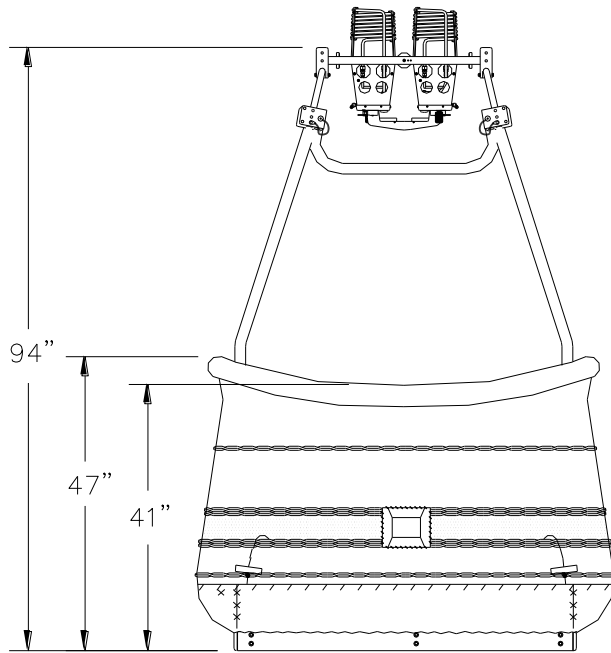
Aurora 54K, 62K & 69K
Rally 77, 90 & 105
Aero 77, 90, 90S, 105 & 105S
Horizon 69, 77, 90 & 105

Classic Limited (CW)

Basket empty weight – 249 lbs.
Standard Tanks; 2 – 15 gallon

Certified Envelopes:

Aurora 62K & 69K
Rally 77, 90, 105 & 126
Aero 77, 90, 90S, 105,
105S, 126 & 141
Horizon 69, 77, 90 & 105



Classic Limited Stretch (CWS)

Basket empty weight – 298 lbs.
Standard Tanks; 2 – 15 gallon

Certified Envelopes:

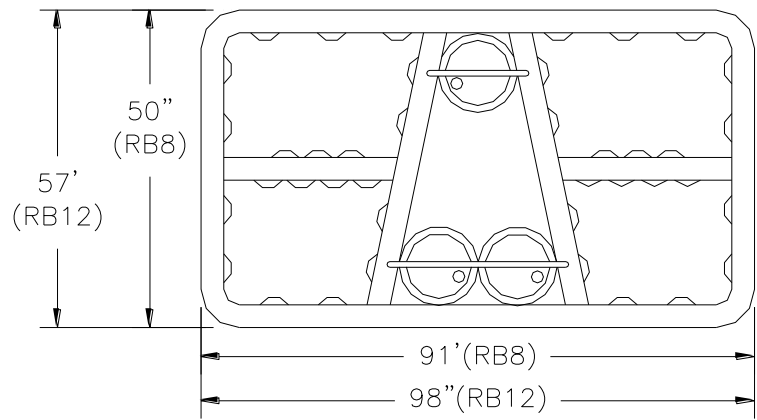
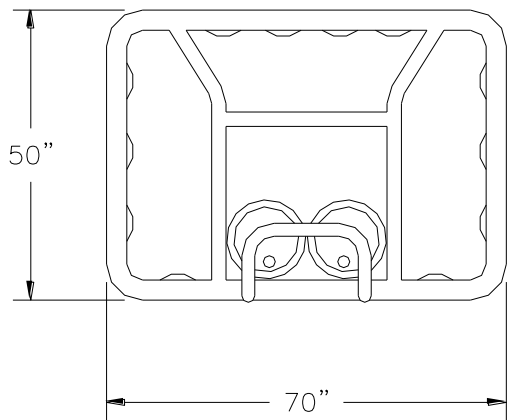
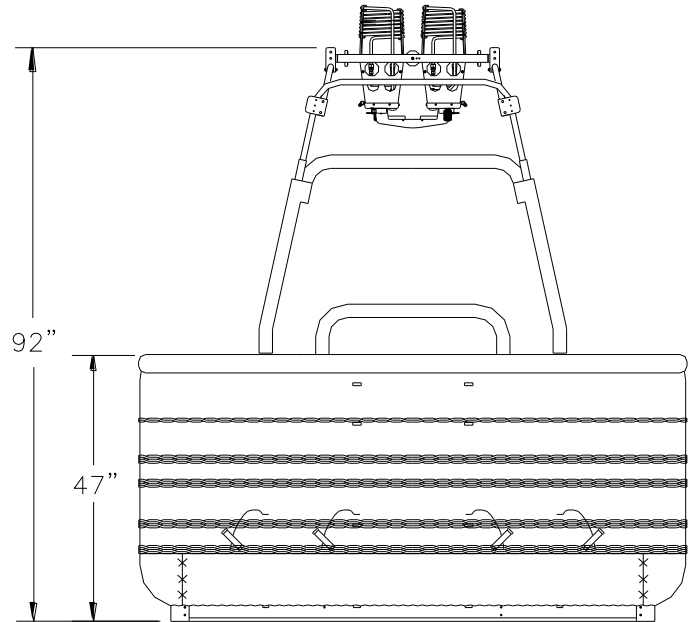
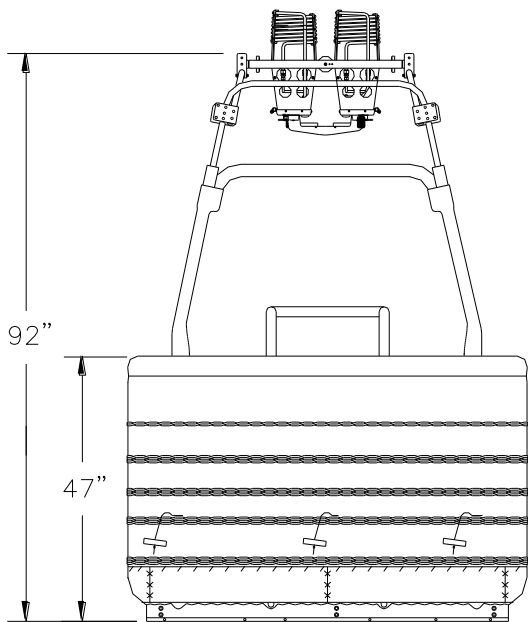
Rally 90, 105 & 126
Aero 90, 90S, 105, 105S, 126, 141 & 175
Horizon 90 & 105

Classic VII (RB-5)

Basket empty weight – 475 lbs.
Standard Tanks; 3 – 15 gallon

Certified Envelopes:

Rally 126
Aero 141, 175 & 211



Classic IX (RB6)

Basket empty weight – 495 lbs.
Standard Tanks; 2 – 23 gallon

Certified Envelopes:

Rally 126
Aero 126, 141, 175, 211 & 245

Classic X (RB8)

Basket empty weight – 608 lbs.
Standard Tanks; 3 – 23 gallon

Classic XII (RB12)

Basket empty weight – 640 lbs.
Standard Tanks; 3 – 23 gallon

Certified Envelopes:
Aero 175, 211 & 245

System Specifications Type Certified

* Note; All weights are averages. Weights can be higher depending on options and accessories added. For offered configurations, see price list.

** Note; For specific burner and tank certification, see type certificate A15CE.

Sales Designation	Rally 77	Rally 90	Rally 105	Rally 126	Aurora 54K	Aurora 62K	Aurora 69K	Horizon 69	Horizon 77	Horizon 90	Horizon 105
Model Numbers	RX-7	RX-8	RXS-8	RX-9	S49A	S51A	S53A	S53H	S55H	S57H	S60H
F.A.I. Class	AX7	AX8	AX8	AX9	AX6	AX7	AX7	AX7	AX7	AX8	AX8
Volume (cu. ft.)	77500	90000	105400	126500	54000	62500	69000	69000	77500	90000	105400
Height (ft.)	57'	60'	69'	67'	50'	53'	55'	55'	57'	60'	63'
Diameter (ft.)	55'	57'	60'	64'	49'	51'	53'	53'	55'	57'	60'
Average Envelope Wt.*	205	231	250	290	155	165	175	175	214	233	254
No. of Gores	12	14	14	14	16	16	16	16	24	24	24
Banner ht. at Equator	15'	16'	16'	19'	12'	13.5'	18'	19.2'	19.2'	19.2'	19.2'
Approximate Gore Width at Equator											
Straight	5'	5'	5'	5'							
Curved	10'	8.5'	9.5'	10'	9.5'	10'	10.5'	10.5'	7	7.5'	8'
Baskets Certified Gross Weight With Envelope (if available)											
Aurora (ELS)	1200	1200			1100	1100	1100	1100	1200	1200	
Aurora Stretch (ELSS)	1200	1200			1100	1100	1100	1100	1200	1200	
Classic II (RWSW)	1480	1650	1800		1100	1275	1275	1275	1435	1455	1800
Classic Limited (CW)	1480	1650	2000	2000		1275	1275	1275	1435	1650	1800
Classic Ltd Stretch (CWS)		1650	2000	2000						1650	1800
Classic VII (RB5)				2225							
Classic IX (RB6)				2225							
Classic X (RB8)											
Classic XII (RB12)											
Burners Certified**											
Aurora Single	X	X			X	X	X	X	X	X	
Standard (Single)	X	X	X		X	X	X	X	X	X	X
Zone Five (Dual)	X	X	X	X		X	X	X	X	X	X
Triple											
Tanks Certified (with applicable baskets)**											
15 Gallon	X	X	X	X	X	X	X	X	X	X	X
18 Gallon	X	X	X	X	X	X	X	X	X	X	X
20 Gallon	X	X	X	X	X	X	X	X	X	X	X
23.5 Gallon				X							
25 Gallon	X	X			X	X	X	X	X	X	

Sales Designation	Aero 77	Aero 90	Aero 90S	Aero 105	Aero 105S	Aero 126	Aero 141	Aero 175	Aero 211	Aero 245
	S55A	S57A	S57S	S60A	S60S	S64A	S66A	S71A	S77A	S81A
	AX7	AX8	AX8	AX8	AX8	AX9	AX9	AX10	AX10	AX11
	77500	90000	90000	105400	105400	126400	141000	175000	211000	245000
	57'	60'	62.5'	63'	66'	67'	69'	75'	81'	85'
Diameter (ft.)	55'	57'	57'	60'	60'	64'	66'	71'	77'	81'
Average Envelope Wt.*	214	233	233	254	250	275	311	370	460	504
No. of Gores	24	24	40	24	40	24	24	24	28	28
Banner ht. at Equator	15'	16'	16'	16'	16'	20'	19'	19'	24'	24'
Approximate Gore Width at Equator										
Straight	7'	7.5'	4.5	8'	5	8.5	8.5'	10'	9'	9'
Curved										
Baskets Certified Gross Weight With Envelope (if available)										
Aurora (ELS)	1200	1200	1200							
Aurora Stretch (ELSS)	1200	1200	1200							
Classic II (RWSW)	1435	1650	1455	1800						
Classic Limited (CW)	1435	1650	1650	1800	1800	2000	2000			
Classic Ltd Stretch (CWS)		1650	1650	1800	1800	2000	2000	2000		
Classic VII (RB5)						2225	2300	2370		
Classic IX (RB6)						2225	2500	2650	2800	2870
Classic X (RB8)								2650	3450	3470
Classic XII (RB12)								2650	3450	3800
Burners Certified**										
Aurora Single	X	X	X							
Standard (Single)	X	X	X	X	X					
Zone Five (Dual)	X	X	X	X	X	X	X	X	X	
Triple								X	X	X
Tanks Certified (with applicable baskets)**										
15 Gallon	X	X	X	X	X	X	X	X	X	X
18 Gallon	X	X	X	X	X	X	X	X	X	X
20 Gallon	X	X	X	X	X	X	X	X		
23.5 Gallon						X	X	X	X	X
25 Gallon	X	X	X							

Miscellaneous Weights*			
Empty 20 gallon fuel tank	48 lbs.	Superpressure burner assembly	37 lbs.
Empty 25 gallon fuel tank	53 lbs.	Superpressure fan assembly	36 lbs.
Empty 15 gallon fuel tank	44 lbs.	250' power cord	38 lbs.
Empty 18 gallon fuel tank	49 lbs.	Padded leather seat	6 lbs.
Empty 23.5 gallon fuel tank	64 lbs.	Avg. 3-gore Aero 90 banner	18 lbs.
Aurora single burner	23 lbs.		
Standard single burner	24 lbs.		
Zone Five dual burner	46 lbs.		
Zone Five triple burner	67 lbs.		